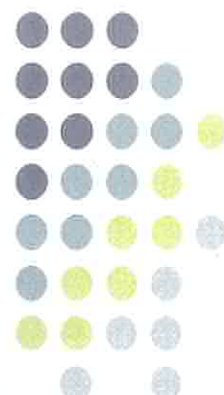


DDS AI CONTROL



AI-T-250

Overheat cutout with manual reset

AI thermo control

Numerical display



萬佳環保服務有限公司
MANTA ENVIRONMENTAL SERVICE LTD.

澳門士多紐拜斯大馬路11號協興大廈閣樓A座
11A, Sobre loja, Avenida de Sidonio Pais, Hip Heng Bldg., Macau.

Tel: (853) 28308818

Fax: (853) 28523613

E-Mail: mes@mes.mo

Website: <http://www.mes.mo>

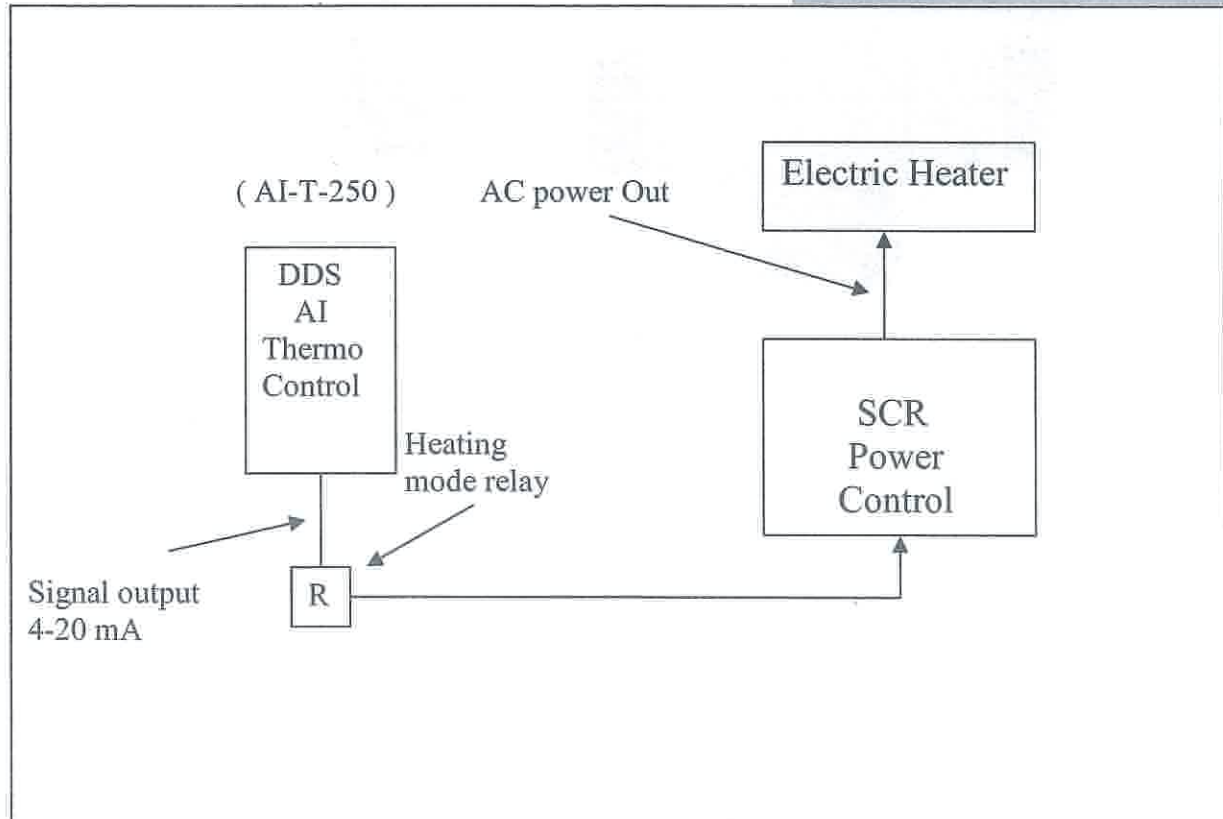
DDS AI THERMO CONTROL

provides comfortable heating for fan coil units and air handlers. The fuzzy logic electric heating system is developed by DELTA DUCT SYSTEMS LIMITED based on years of experience in the duct heater market and have CE approval.

Features .

1. Overheat cutout with manual reset
2. Three select of overheat Temperature setup(45°C , 50°C , 55°C)
3. LED status display
4. AI thermo control
5. 4-20 mA signal output
6. Normal open output
7. Numerical display
8. Status memory

Circuit drawing



Scr Power Controller

小型SCR電力調整器



萬佳環保服務有限公司

MANTA ENVIRONMENTAL SERVICE LTD.

澳門士多紐拜斯大馬路11號協興大廈閣樓A座
11A, Sobre loja, Avenida de Sidonio Pais, Hip Heng Bldg., Macau.

Tel: (853) 28308818

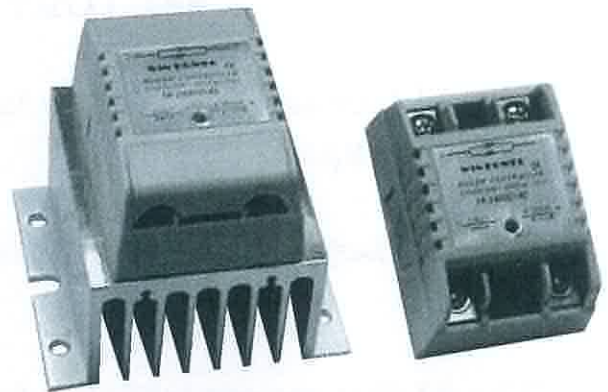
Fax: (853) 28523613

E-Mail: mes@mes.mo

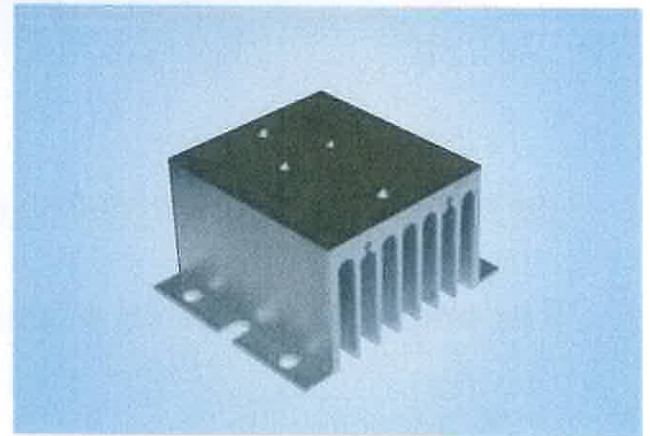
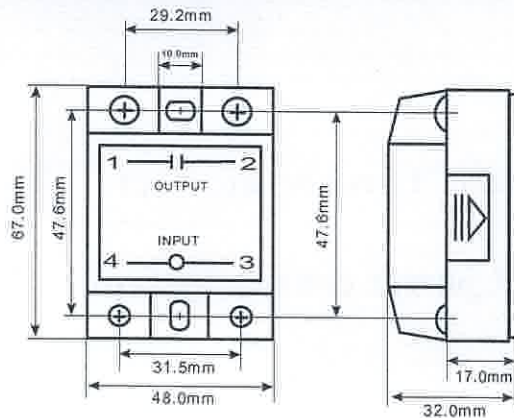
Website: <http://www.mes.mo>

- 直接搭配溫度控制器輸出控制信號4-20mA或1-5VDC控制
- 無需輔助電源,省能源設計,配線簡易
- 一台溫度控制器可串接二台之SCR控制器
- 50/60HZ可共用,輸出功率達100%,線性輸出佳
- 使用超熱導體,傳熱效果佳,可提升產品可靠度及壽命
- 輸入信號測及負載測具有防護蓋保護,避免觸電
- 體積小節省配盤空間及時間
- 結構採模組化設計,維修更換容易

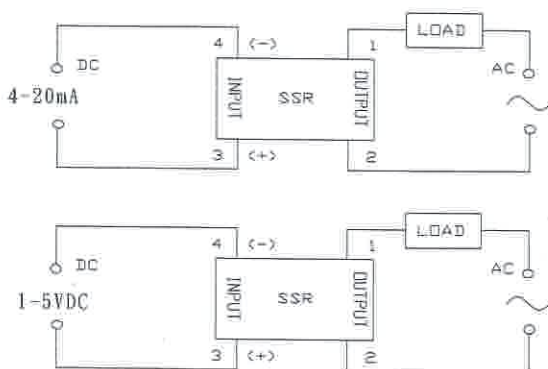
WIN POWER



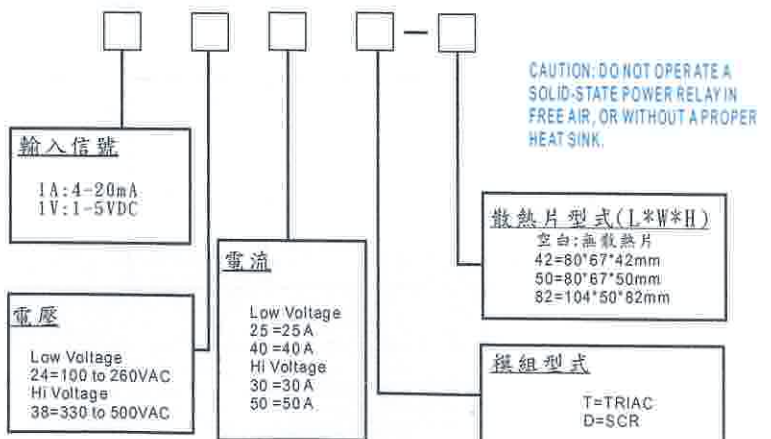
Outside dimension



Connection diagram



Ordering Information



The AI thermo controller (**MODEL : AI-T-250**) Is factory preset a **HI LIMIT** temperature to 40°C discharge air temperature. The temperature sensor inside the air duct feeds back the signal to the controller and it will adjust the output of heater to raise or lower the temperature to match set point.

FACTORY PRESET

The AI thermo controller is factory preset a **OVERHEAT** Cutoff temperature at 50°C

The AI thermo control is factory preset a **HI LIMIT** temperature at 40°C

The AI thermo controller is factory preset a **LEVEL** at Level 2

The AI thermo controller is factory preset a **OUTPUT MODE** at 4-20 mA current mode

DDS AI THERMO CONTROL provides Three level select .

The output % is base on 4-20mA to SCR power control system

TEMP OUTPUT	HI LIMIT	HL -1°C	HL-2°C	HL-3°C	HL-4°C	HL-5°C	HL-6°C	HL-7°C
LEVEL 1	0%	10%	25%	40%	55%	70%	85%	100%
LEVEL 2	0%	20%	40%	60%	80%	100%		
LEVEL 3	0%	25%	50%	75%	100%			